

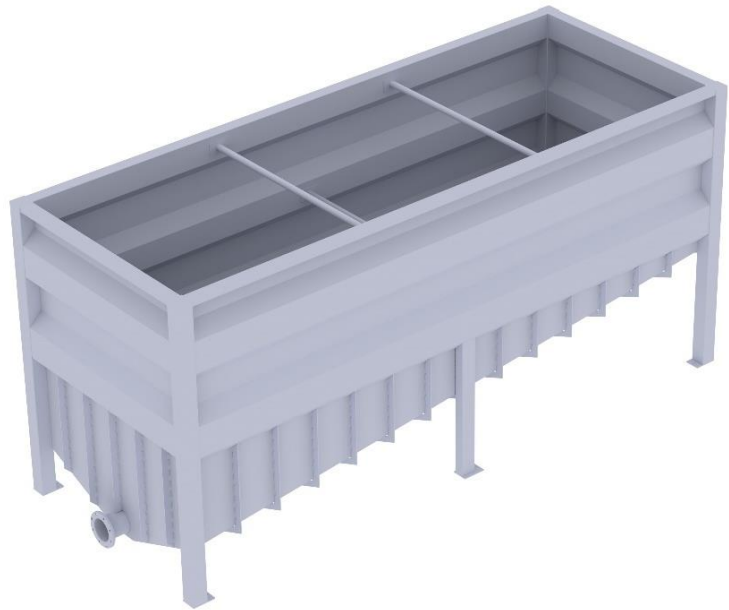
ACCUMULATION TANK

Application

Accumulation tanks are designed to improve fish handling process when it is being received from vessels.

Main purpose of accumulation tanks is gentle and effective fish storage before next processing step such as grading, freezing or brining.

Tanks can be ordered in different dimension variations that are suitable for individual factory needs and space availability.



Main benefits

- Ergonomic design
- Large effective volume
- Easy cleanable design

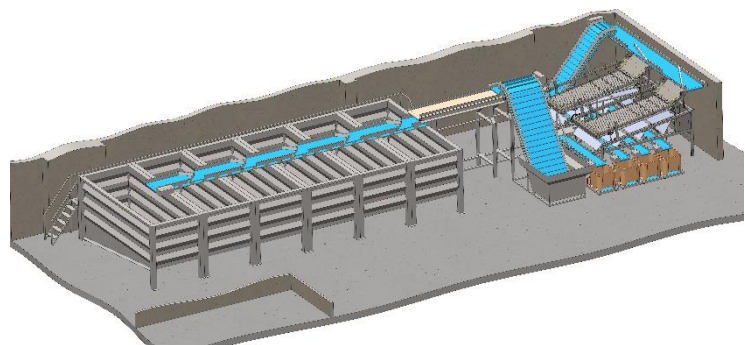
Operating principle

The stored product is delivered by food grade pumps through piping system from fishing vessel or by forklifts that deliver receiving containers and empty them from the top of the accumulation tank.

Fish is stored in ice water to preserve the quality and freshness of the fish for as long as possible and is being delivered to the next processing unit through output piping system usually including water separation unit in between.

Alternative delivery and output methods can be used depending of availability and factory needs.

Example layout of receiving system



Technical characteristics

Available volume range	10 – 100 m ³
Fish infeed	Piping system/containers
Fish outfeed	Piping system
Material	AISI 304 (AISI 316 optional)

Accumulation tank



For more processing solutions



Autonobbing line

Reduce your cost of nobbing!



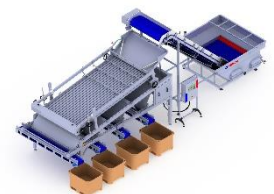
Drum-type nobbing line

Process small fish into quality product!



Autofeeder

Reduce your costs of nobbing!



Roller grading line

Grading - a must for industrial processing of fish!