

BIN – DOLAV TIPPER

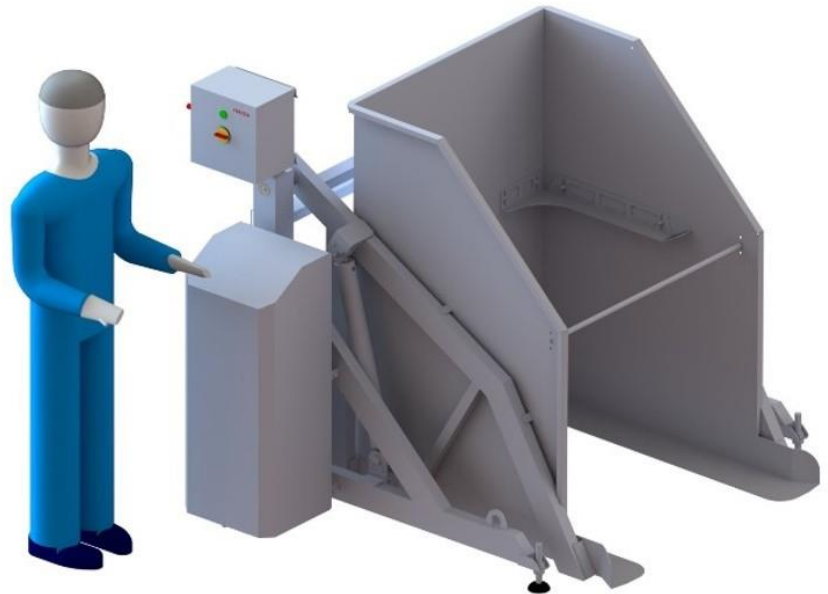
Application

Container tippers can be ordered for different container shapes and sizes that are used in food processing industries.

The use of container tippers allow easier handling of fish or other product containers by hydraulic tipping system.

Main benefits

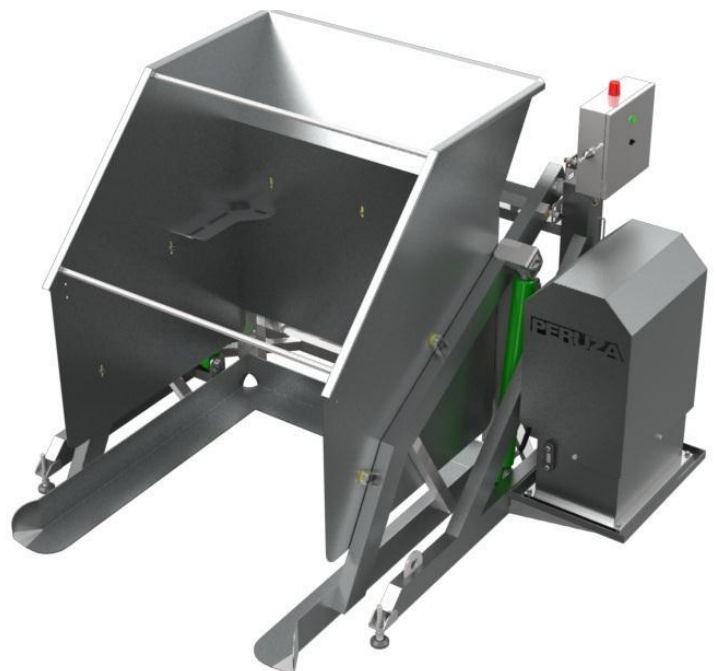
- Fast product handling
- 800 kg per 1 load
- Easy to operate
- Effectivness



Operating principle

Containers with product is delivered to container tipper that is stationed at processing line by forklifts. Empty containers are removed from tipper in the same manner.

Operator can start the tipping process by holding the "UP" button on control unit. For safety whenever the button is released, the tipping process stops. Empty container can be lowered by pressing and holding the "DOWN" button.



Processing capacity

MAX LOAD

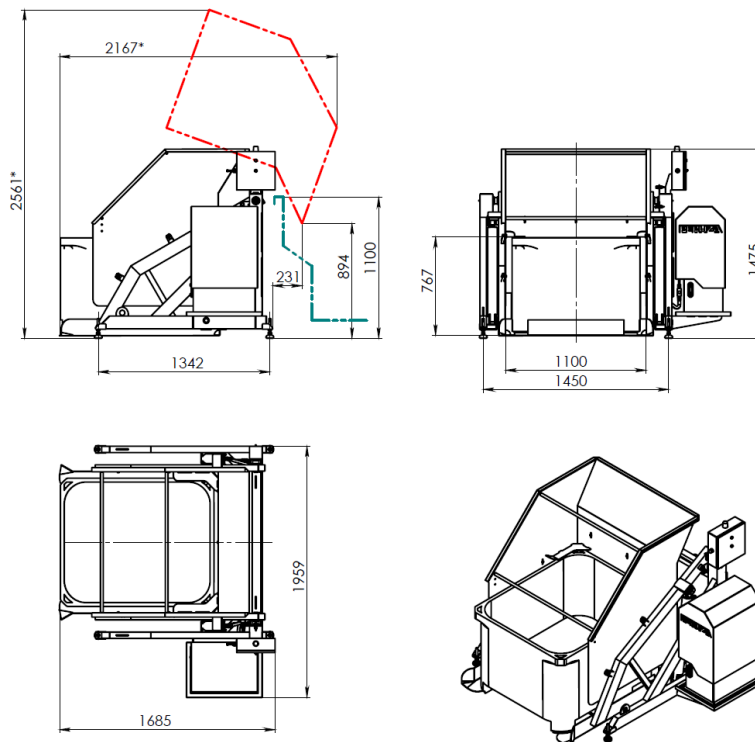
**CONTAINER -
DOLAV TIPPER**

800 kg

*Equipment is adaptable to various size and weight dimensions

Technical characteristics

Product	Various food products
Processing capacity	800 kg
Equipment dimension (LxWxH)	1685 x 1960 x 1475 (mm)
Number of operators on the machine	0-1
Key features	Effectiveness, adaptivity, ergonomic

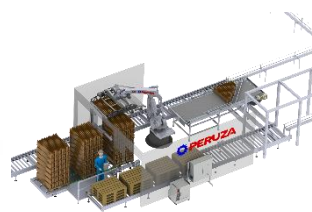


For more processing solutions



Drum-type nobbing line

Process small fish into quality product!



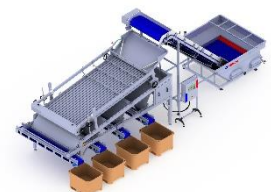
Depaletizing robot line

Replace up to 20 manual processing operators!



Water defrosting line

Use efficient defrosting for your products!



Roller grading line

Grading - a must for industrial processing of fish!