

LARGE FRUIT AND VEGETABLE SLICING MACHINE

Application

Fruit and vegetable slicing machine is designed as high production rate solution for fast slicing of products into precise slices.

Main benefits

- High production rate
- Precise slices
- Easily washable design
- Food contact compliant materials

Operating principle

Operator places the product into the designated place. Fruit and vegetable slicing machine is easy operated with two push buttons. After slicing process is done, slices drops onto the conveyor or a box under the slicing machine.



Processing capacity



LARGE FRUIT AND VEGETABLE SLICING MACHINE
(pieces/h)

Max Ø - 500mm

Up to 180

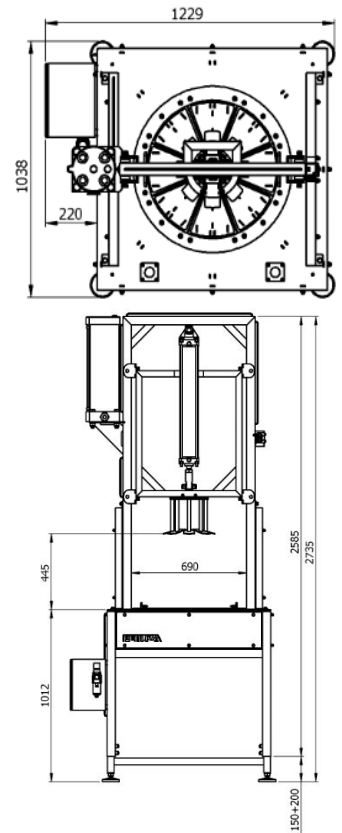
See equipment in action



*Equipment is adaptable to various size and weight dimensions

Technical characteristics

Product	Pumpkins, watermelon and others
Processing capacity	Up to 180 pieces per hour
Equipment dimension (LxWxH)	2800x1230x1040 (mm)
Number of operators on the machine	1
Key features	Adaptable, effective, easy to use

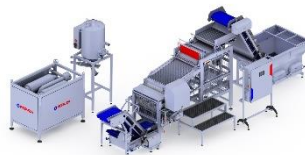


For more processing solutions



Vegetable peeling machine

Increase your profit peeling vegetables with ease!



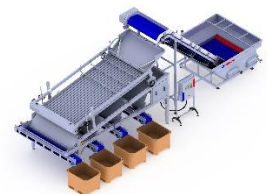
Drum-type nobbing line

Process small fish into quality product!



Water defrosting line

Use efficient defrosting for your products!



Roller grading line

Grading - a must for industrial processing of fish!