

LARGE FRUIT AND VEGETABLE PEELING MACHINE

Application

Large vegetable peeling machine is designed as high capacity vegetable peeler. Equipment can process up to 60 pumpkins per hour. Machine can be adjusted to different kind of vegetables.

Main benefits

- Minimized surface-to-surface contact area
- Only 1 operator per machine
- Easily washable design
- Food contact compliant materials

Operating principle

The operator inserts the pumpkin into the machine, pushes the button to lower mounting valve, thereby securing the pumpkin in the machine. When the operator closes the security door, the machine can start operating. The operator presses the start button and adjusts the peeling speed of the machine with the controller. As the knife moves up or down the pumpkin rim, a layer of bark is removed. As the peel is peeled, it falls into a box located under the peeler. When the peeling process is complete, operator presses the button to release the pumpkin and removes it from the peeler.



Processing capacity



LARGE FRUIT AND VEGETABLE PEELING MACHINE
(units/h)

Max weight -12 kg or Ø500mm

Up to 60

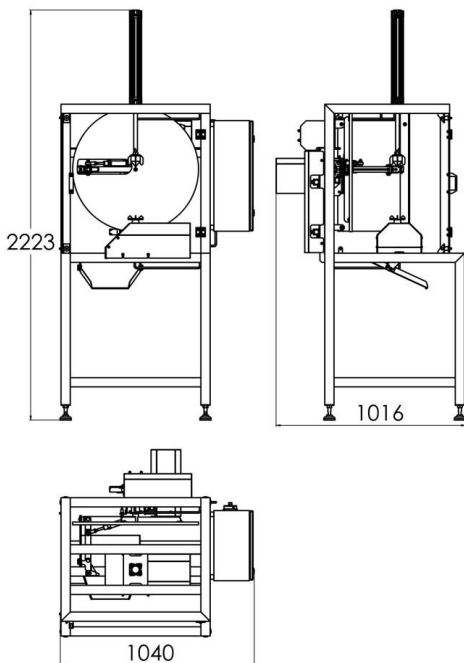
*Equipment is adaptable to various size and weight dimensions

See equipment in action



Technical characteristics

Product	Pumpkins & other large vegetables
Processing capacity	Up to 60 products per hour
Equipment dimension (LxWxH)	1040x1016x2223 (mm)
Number of operators on the machine	0-1
Key features	Adaptable, effective, repeatable



For more processing solutions



Autonobbing line

Reduce your cost of nobbing!



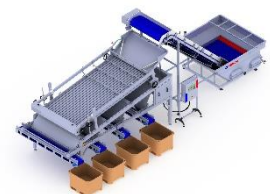
Drum-type nobbing line

Process small fish into quality product!



Water defrosting line

Use efficient defrosting for your products!



Roller grading line

Grading - a must for industrial processing of fish!