

PERUZA FRUIT AND VEGETABLE SLICING MACHINE

Application

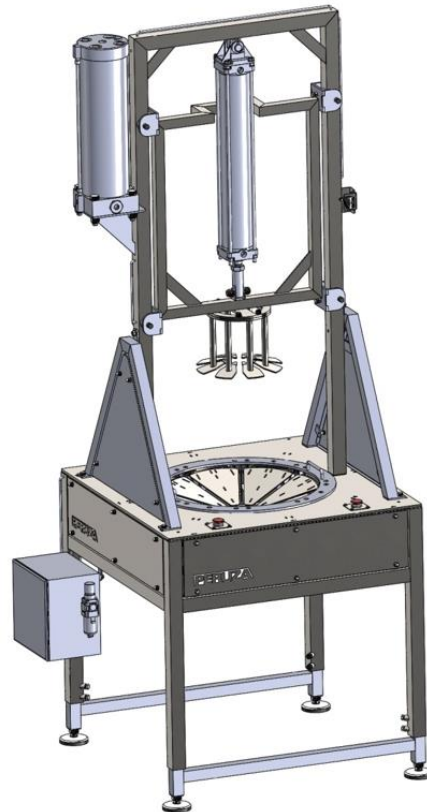
PERUZA Fruit and vegetable slicing machine is designed as high production rate solution for fast slicing of products into precise slices.

Main benefits

- High production rate
- Precise slices
- Easily washable design
- Food contact compliant materials

Operating principle

Operator places the product into the designated place. PERUZA Fruit and vegetable slicing machine is easy operated with two push buttons. After slicing process is done, slices drops onto the conveyor or a box under the slicing machine by your choice.



Processing capacity



PERUZA FRUIT AND VEGETABLE SLICING MACHINE
(pieces/h)

Max Ø - 500mm

Up to 60 pieces/h

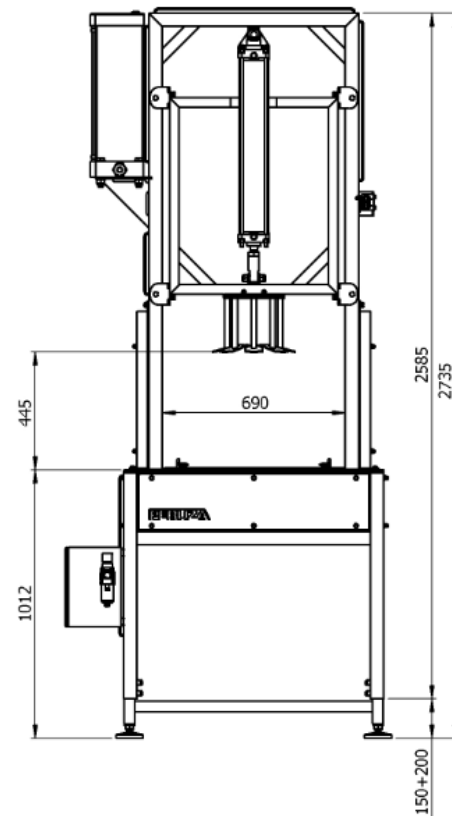
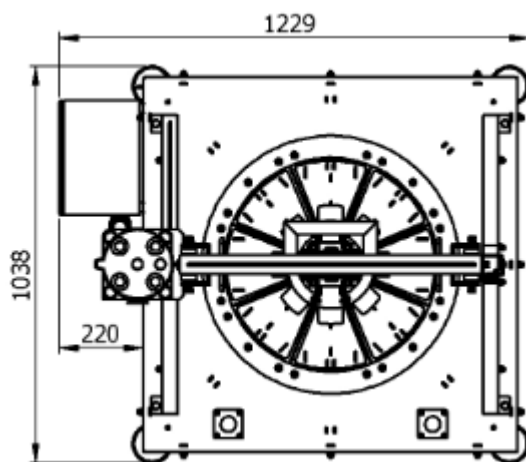
See equipment in action

* Equipment is adaptable to various size and weight dimensions

Here should be a hyperlink

Technical characteristics

Product	Pumpkins, watermelon and others
Processing capacity	Up to 60 pieces per hour
Equipment dimension (LxWxH)	2800x1230x1040 (mm)
Number of operators on the machine	1
Key features	Adaptable, effectiveness, repeatability

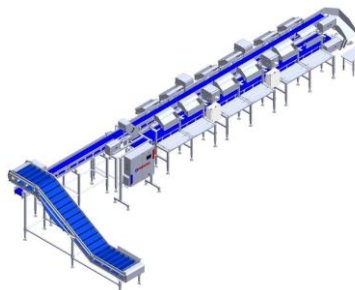


For more processing solutions



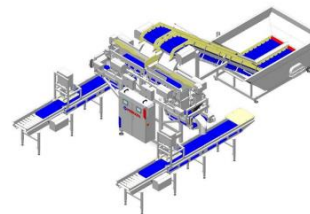
PERUZA Vegetable peeling machine

Increase your profit peeling vegetables with ease!



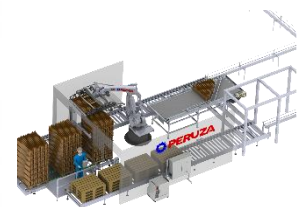
PERUZA flow weight grader

Sort up to 120 fish per minute!



PERUZA weight batching line

Increase your productivity up to 20 batches per minute!



PERUZA Depaletizing robot

Replace up to 20 manual processing operators