

PERUZA REDUCED GIVEAWAY LINE

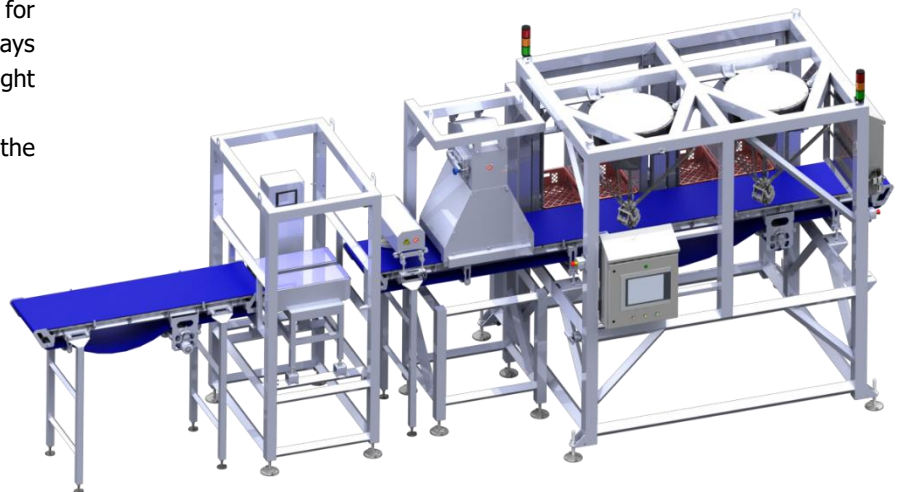
Application

PERUZA Reduced giveaway line is designed for raw product automatic insertion into plastic trays or boxes by reaching specified final weight range in packaging.

Precise calculations reduce the giveaway of the product and increase the line capacity.

Main benefits

- Reduced product giveaway
- Easy to use user interface
- Adaptable to various products
- Fast operating



Operating principle

The products arrive on main product conveyor one by one in 1, 2 or more lanes.

After passing through 3D dimension recognition and weight calculation unit, program sends signal to robot with appropriate gripper to pick it up and place it into a tray or box to reach set final weight range in packaging.

Final weight range in packaging and current line setup can be adjusted in a smart user interface.

Processing capacity



**PERUZA REDUCED
GIVEAWAY LINE**
(products/min)

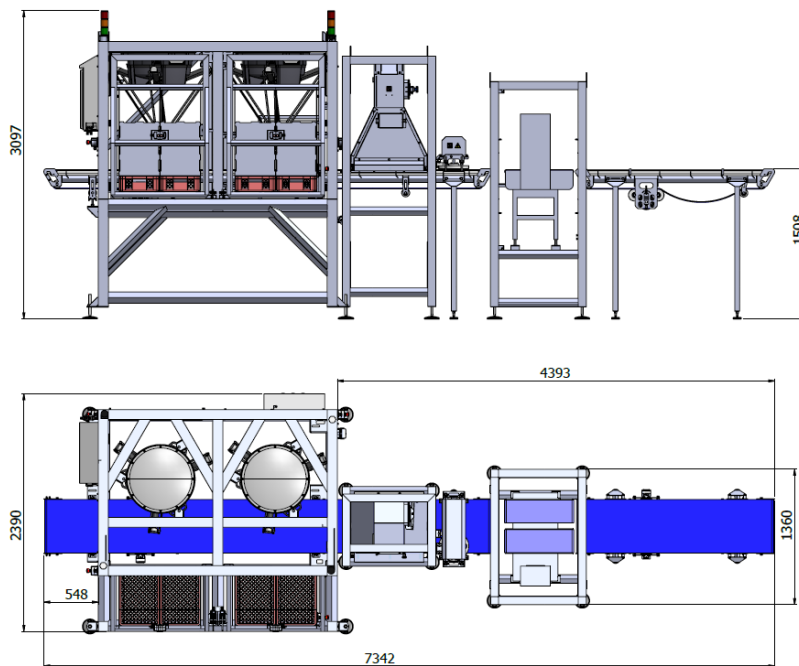
50 – 1000 g

Up to 120 (2 lanes)

* Equipment is adaptable to various size and weight dimensions

Technical characteristics

Product	Fresh or frozen meat, fish or vegetables products
Processing capacity	Up to 120 products/min (60 per lane)
Equipment dimension (LxWxH)	6100 x 1750 x 2310 mm
End product weight accuracy	+/- 5 g (depends on product type)
Combination amount in robot working zone	32 tray combinations
Key features	Precision, Repeatability, Speed

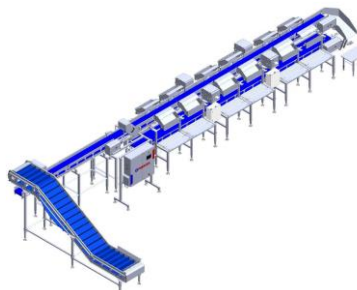


For more processing solutions



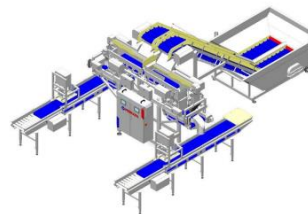
PERUZA nobbing and filleting line

Reduce your cost of nobbing!



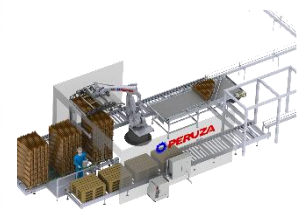
PERUZA flow weight grader

Sort up to 120 fish per minute!



PERUZA weight batching line

Increase your productivity up to 20 batches per minute!



PERUZA Depaletizing robot

Replace up to 20 manual processing operators