

# PERUZA FRUIT AND VEGETABLE SLICING MACHINE

## Application

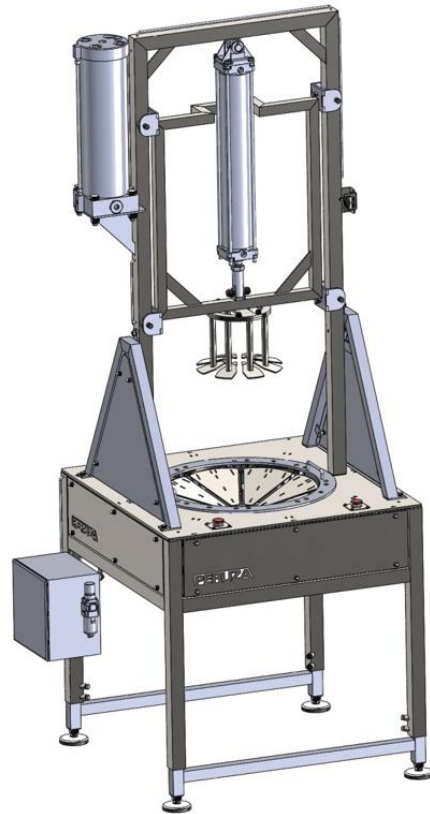
PERUZA Fruit and vegetable slicing machine is designed as high production rate solution for fast slicing of products into precise slices.

## Main benefits

- High production rate
- Precise slices
- Easily washable design
- Food contact compliant materials

## Operating principle

Operator places the product into the designated place. PERUZA Fruit and vegetable slicing machine is easy operated with two push buttons. After slicing process is done, slices drops onto the conveyor or a box under the slicing machine by your choice.



## Processing capacity



**PERUZA FRUIT AND VEGETABLE SLICING MACHINE**  
(pieces/h)

Max Ø - 500mm

Up to 60

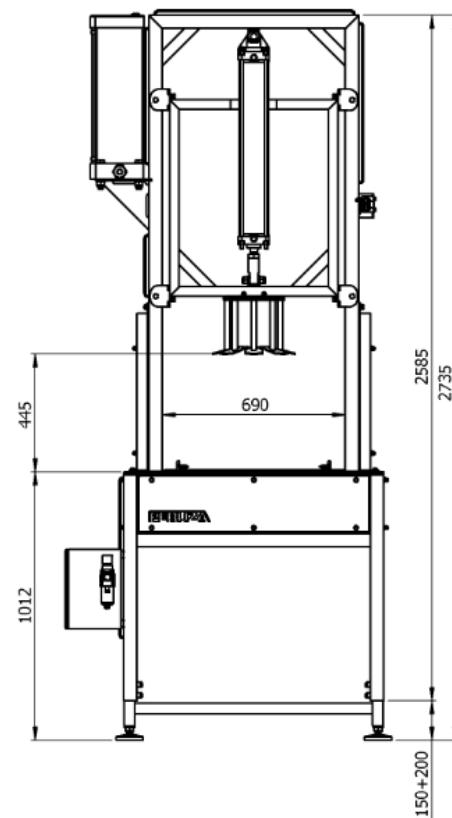
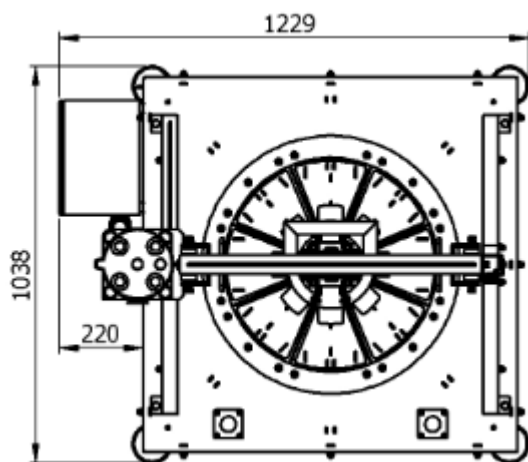
## See equipment in action



\* Equipment is adaptable to various size and weight dimensions

## Technical characteristics

<b>Product</b>	Pumpkins, watermelon and others
<b>Processing capacity</b>	Up to 60 pieces per hour
<b>Equipment dimension (LxWxH)</b>	2800x1230x1040 (mm)
<b>Number of operators on the machine</b>	1
<b>Key features</b>	Adaptable, effectiveness, repeatability

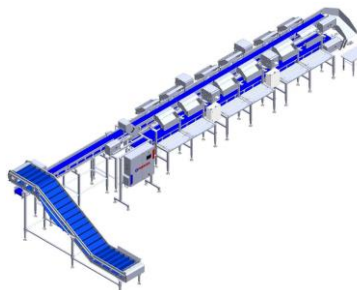


## For more processing solutions



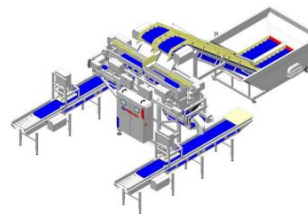
### PERUZA Vegetable peeling machine

Increase your profit peeling vegetables with ease!



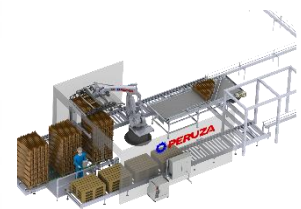
### PERUZA flow weight grader

Sort up to 120 fish per minute!



### PERUZA weight batching line

Increase your productivity up to 20 batches per minute!



### PERUZA Depaletizing robot

Replace up to 20 manual processing operators